

RECEIVED

JAN - 6 2003

P.O. Box 2365 Department of Water Resources
Idaho Falls, ID 83403-2365
January 2, 2003

State of Idaho
Department of Water Resources
1301 North Orchard Street
Boise, ID 83706

Certified Mail
Return Receipt Requested
7002 0860 0007 5521 7495

SUBJECT: Response to Order Requiring Information about Measuring Devices and
Headgates in Water District 73, Pahsimeroi River and Tributaries

The following information is submitted in response to the order requiring information about
measuring devices and headgates in water district 73, Pahsimeroi River and tributaries.
Information is submitted for my diversions from Morse Creek and Spring Creek.

Water Source: Morse Creek

Diversion Description: Santee diversion

NWNESE Sec. 31 Twp. 15N Rge. 22EBM in Lemhi County

The Santee diversion from Morse Creek is controlled by a 10 inch Butterfly valve in a 10-inch
steel pipe. The valve can be locked either with a piece of chain and padlock or by padlocking the
cover on the enclosure surrounding the valve. The pipe was originally fitted with a McCrometer
impeller flowmeter. The McCrometer flowmeter has been replaced with an IDTECH flowmeter.
Details of the assembly are shown in the attached drawing identified as "IRRIGATION OUTLET
ASSEMBLY - SANTEE LINE, Sheet 11 of 14."

Water Source: Spring Creek

Diversion Description: Missouri Canal

NWNENE Sec. 7 Twp. 14N Rge. 22EBM in Lemhi County

The Missouri Canal diversion from Spring Creek is being replaced by the Idaho Fish and Game
Department in conjunction with installing a new fish screen. The new diversion includes a
lockable steel slide headgate with a ramp flume to measure water flow. Details of the headgate
and ramp flume are shown in the attached drawing identified as "PBSC 7 & 8, RAMP FLUME,
Sheet 13 of 15."

You may contact me at:

George Santee
P.O. Box 2365
Idaho Falls, ID 83403-2365

Phone: (208) 522-0202

Sincerely,

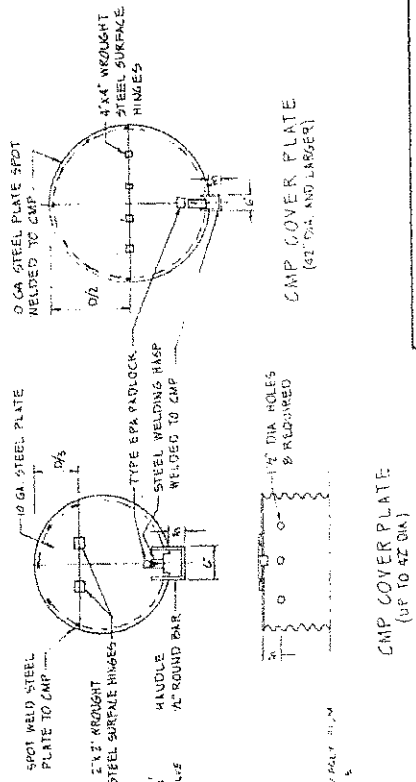

George Santee

Attachments: IRRIGATION OUTLET ASSEMBLY – SANTEE LINE, Sheet 11 of 14
PBSC 7 & 8, RAMP FLUME, Sheet 13 of 15

Cc: Bob Foster, IDWR, Salmon Field Office, 206 Van Dreff, Suite B, Salmon, ID 83467
IDWR, Eastern Regional Office, 900 N Skyline Dr, Suite A, Idaho Falls, ID 83402
Jerry Hawkins, Water District #73, HC 61 Box 3050, Challis, ID 83226
George Miller, Water District #73, 50 P Miller Road, May, ID 83253
Doug Parkinson, Water District #73, P.O. Box 65, Ellis, ID 83235

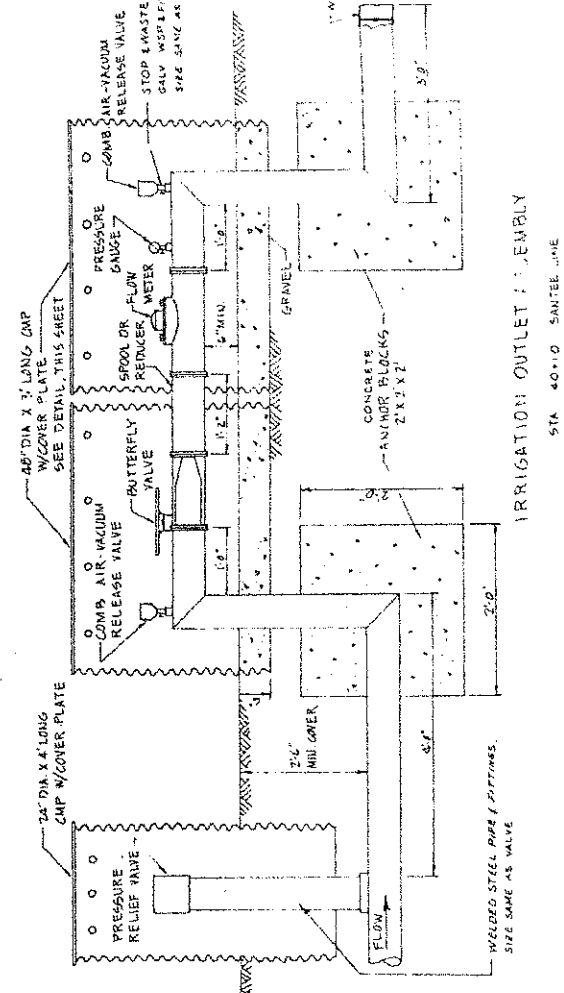
IRRIGATION OUTLET ASSEMBLY DETAILS

| LINE | STATION | PIPE SIZE | PIPE LENGTH | REDUCER SIZE | FLIGHTER SIZE | PIPE SIZE | PIPE RELEASE VALVE SIZE |
|------|---------|-----------|-------------|--------------|---------------|-----------|-------------------------|
| | 40+0 | 10" | 10' | 10" | 10" | 10" | 4" |

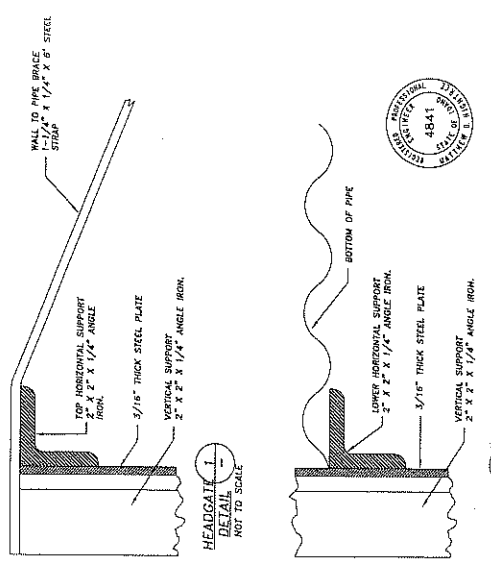
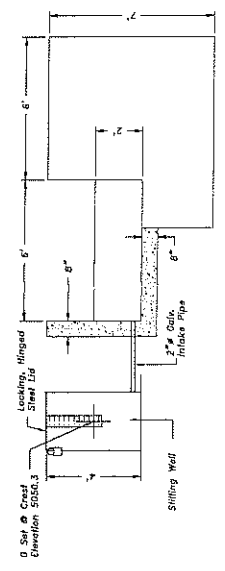
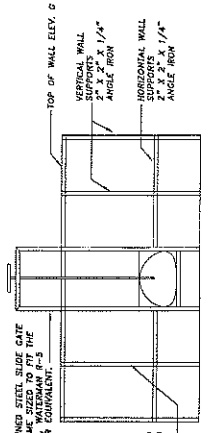
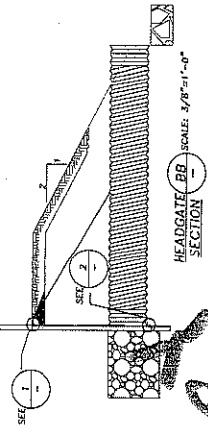
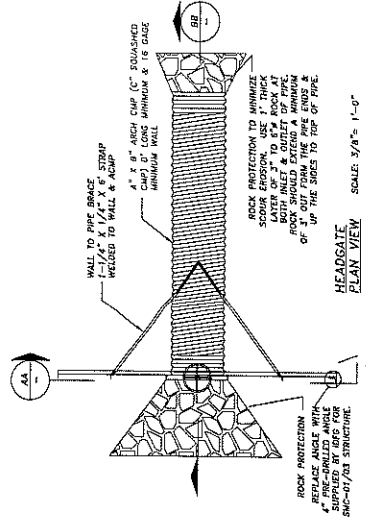
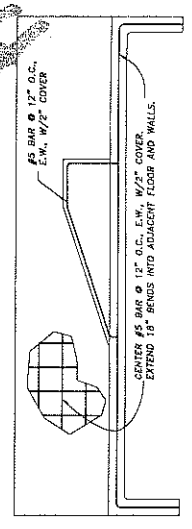
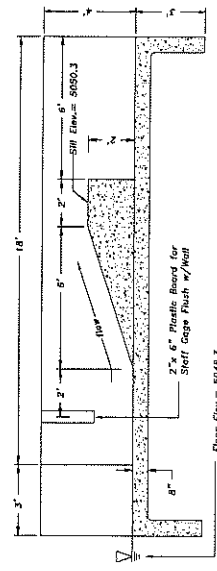
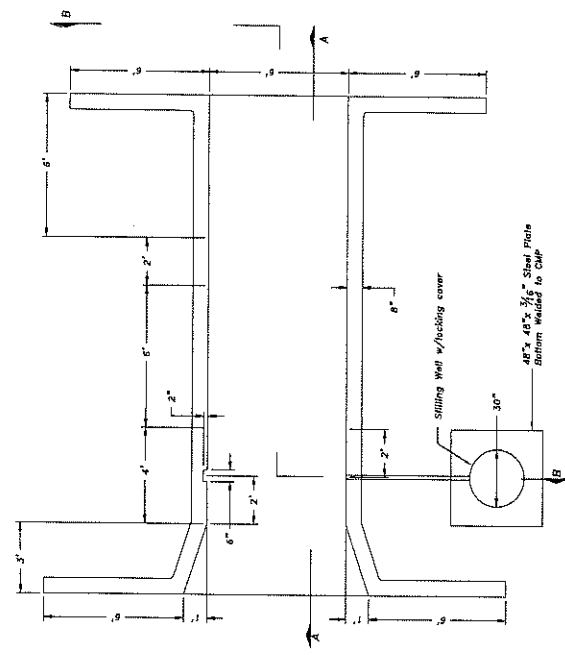


IRRIGATION OUTLET DETAILS
MORSE CREEK GROUP
GRAVITY SPRINKLER
 HIGH COUNTRY RCD LEMHI CO., IDAHO
 U.S. DEPARTMENT OF AGRICULTURE
 SOIL CONSERVATION SERVICE

Project: 545
 Date: 10/21/54
 Drawing No: 101



IRRIGATION OUTLET - LEMBI
 STA 40+1.0 SANTEE JUNE



GENERAL NOTES

HEADGATE ADDRESS: 3000 S. 1000 E. SALT LAKE CITY, UT 84119

1. ALL CONSTRUCTION SHALL BE IN ACCORDANCE WITH STANDARD SPECIFICATIONS.
2. IF IN THE CONTRACTOR'S IMMEDIACY TO LOCATE AND PROTECT ALL UTILITIES, CASING, AND TRENCHES OF ANY KIND PRIOR TO CONSTRUCTION.
3. THE PLATE STEEL SHALL BE A MINIMUM OF 3/16" THICK.
4. ALL FIELD WELDS AND BARE METAL SHALL BE CLEANED PRIOR TO COAT. THE COAT IS MILK THICK.
5. THE PIPE SHALL BE ATTACHED TO THE PLATE STEEL BY CONTINUOUS WELD AROUND THE ENTIRE CIRCUMFERENCE OF THE PIPE.
6. THE PIPE SHALL BE ATTACHED TO THE PLATE STEEL BY CONTINUOUS WELD AROUND THE ENTIRE CIRCUMFERENCE OF THE PIPE.
7. IMPORTANT ELEVATIONS:
 - 7.1. FINISH ELEVATION: AS SHOWN ON SITE PLAN
 - 7.2. FINISH ELEVATION: AS SHOWN ON SITE PLAN
 - 7.3. FINISH ELEVATION: AS SHOWN ON SITE PLAN
 - 7.4. FINISH ELEVATION: AS SHOWN ON SITE PLAN
 - 7.5. FINISH ELEVATION: AS SHOWN ON SITE PLAN
8. DESIGN SHOWN IS A USDA NATURAL RESOURCES CONSERVATION SERVICE STANDARD PRODUCED BY THE CONSERVATION SERVICE. THIS CONTACT PERSON IS DALE DODD.
9. FOR STRUCTURE ORIENTATION SEE SITE PLAN FOR EACH STRUCTURE.

RAMP FLUME NOTES

1. SILL MUST BE LEVEL IN ALL DIRECTIONS.
2. CONSTRUCT FLUME IN IRRIGATION DITCH, 80 FEET DOWN FROM NEW FISH SCREEN.
3. SILL ELEVATION GOVERNS OTHER DIMENSIONS.
4. -0- GAGE HEIGHT SET AT SILL ELEVATION OF FLUME.

| REV# | DATE | DESCRIPTION | BY |
|------|------|-------------|----|
| 37 | | | |

STATE OF IDAHO
DEPARTMENT OF FISH AND GAME
BOISE, IDAHO

| DESIGNED | ELE | DATE |
|------------|---------|------|
| ERIC BOGGS | 1-10-10 | |

| DRAWN | ELE | DATE |
|----------------|-----|------|
| MISC. DRAWINGS | | |

| CHECKED | MOH | DATE |
|---------|-----|------|
| | | |

| SCALE | DATE |
|------------|------|
| 1" = 1'-0" | |

APPROVED: _____ DIRECTOR

DATE: 12/12/10

PROJECT: PBCS 7 & B, RAMP FLUME

SHEET: RAMP FLUME

SCALE: 1/8" = 1'-0"

DATE: 12/12/10

PROJECT: PBCS 7 & B, RAMP FLUME

DRAWING IS REDUCED TO 50% OF FULL SCALE

IF NOT 1 INCH ON THIS SHEET, ADJUST SCALES ACCORDINGLY.



PREPARED BY
 BOISE STATE UNIVERSITY
 CIVIL ENGINEERING DEPARTMENT
 1000 UNIVERSITY AVENUE
 BOISE, IDAHO 83725-1000
 TEL: (208) 378-5000
 FAX: (208) 378-5000
 WWW: WWW.BSUCIVIL.COM