



THE IDAHO ROCKY MOUNTAIN RANCH
Established 1930

May 28, 2007
State of Idaho
Department of Water Resources
P.O. Box 83720
Boise, ID 83720

RECEIVED
DEC 10 2007
DEPARTMENT OF
WATER RESOURCES

RE: Order Requiring Measuring Devices and Head Gates in Water District 170

Dear Sirs:

Attached please find drawings for ramp flumes and orifice to provide water measurements for Idaho Rocky Mountain Ranch water rights on Williams and Gold Creeks. I have also included a map with general locations and a copy of e-mail from Brian Hamilton, BOR, proposing locations for flume and orifice installations. Brian Hamilton, BOR, informed me that he had shown plans to Nick Miller, IDWR, and they agreed that the designs appeared appropriate for the locations and water rights. In the interest of timely installation, I have order construction of the flumes and orifice through a Salmon fabrication business. I anticipate completion of construction by late December, 2007. Installation is slated for May, 2008. Please contact me ASAP, if there are any concerns. I can be contacted via phone at 208-774-2680 or by e-mail: bleavell@ruralnetwork.net.

Sincerely,

William (Bill) G. Leavell
General Manager

Cc: Brian Hamilton, BOR
Jackie Richter, SNF

Copy

May 28, 2007
State of Idaho
Department of Water Resources
P.O. Box 83720
Boise, ID 83720

RE: Order Requiring Measuring Devices and Head Gates in Water District 170

Dear Sirs:

Attached please find attached explanation letter, maps and diagrams of water diversions for Idaho Rocky Mountain Ranch, owned by FCP, LLC. We anticipate having BOR/NRCS and IDFG providing technical advice on purchase and installation of measuring devices. Five of our six diversions have lockable and controlling headgates. One diversion has a measuring device as specified in the Order. I anticipated that we will have lockable and controlling headgates with measuring devices installed for all FCP diversion prior to October 1, 2007. If you have questions or comments, please refer them to Bill Leavell, Idaho Rocky Mountain Ranch, FCP, LLC. 208-774-2680.

Sincerely,

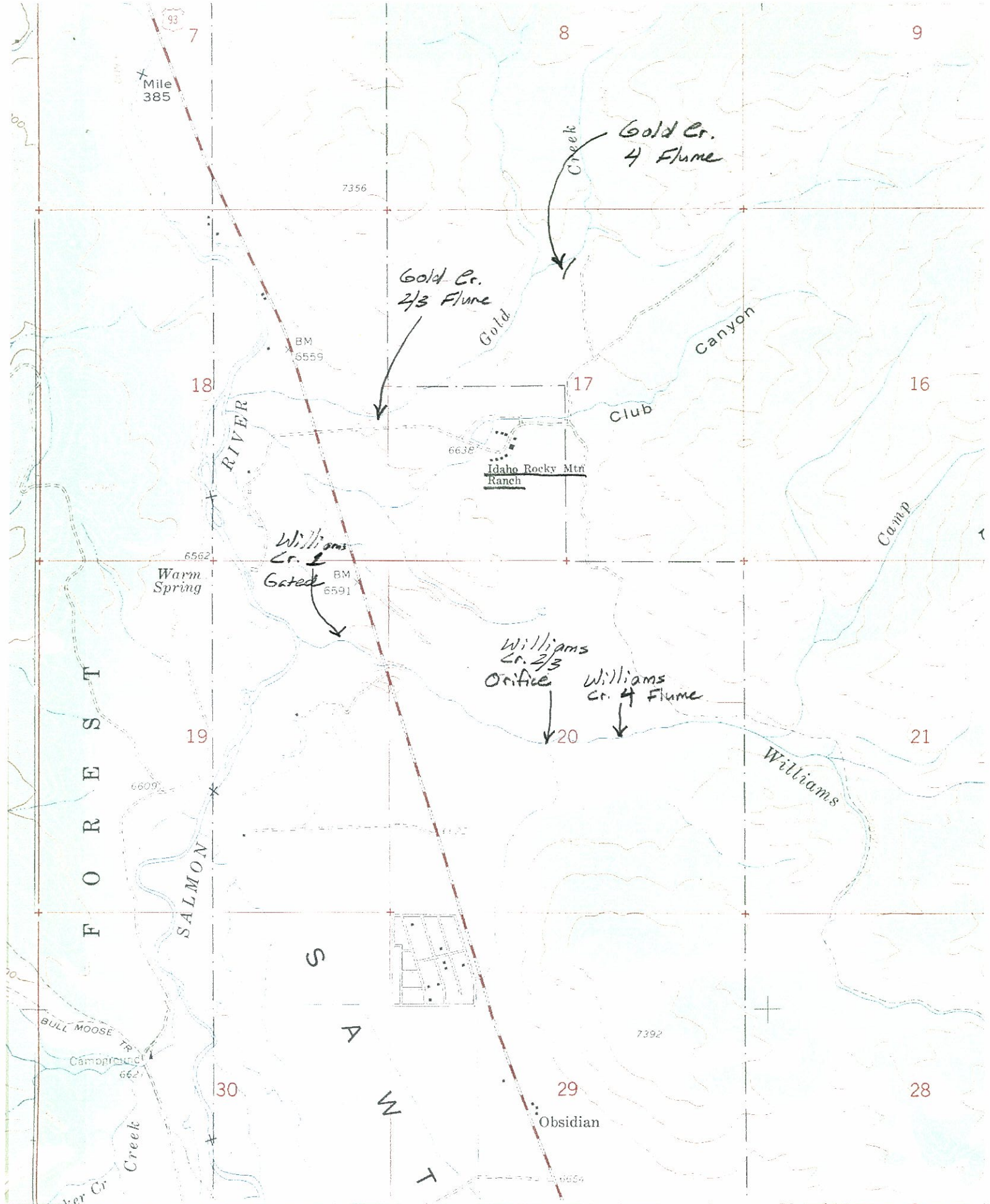
William (Bill) G. Leavell
General Manager

- > Gold Ck 2/3 and Gold Ck 4, and Williams Ck 4 will be identical ramp
- > flumes, so you will be able to use the same flow table for all of them.
- >
- > Gold Ck 4 to be installed about 100 yds downstream of the headgate,
- with
- > the ditch needing minor cleaning between the headgate and about 130 yds
- > downstream. This would be downstream of the fishscreen.
- >
- > Gold Ck 2/3 to be installed between 20 and 50 yards downstream of the
- > headgate (your preference on location here is fine). This would also
- be
- > downstream of the fishscreen.
- >
- > Williams Ck 4 installed either 50 yds downstream of the headgate
- > (upstream of the fishscreen) or 20 yds downstream of the road
- > crossing (downstream of the fish screen). I think IDWR would approve
- > either spot, so again whichever you prefer.
- >
- > Williams Ck 2/3 was a very difficult site to figure out, with very
- > little head available for a measuring device. I think the best option
- > would be to go into the creek and install a submerged orifice onto the

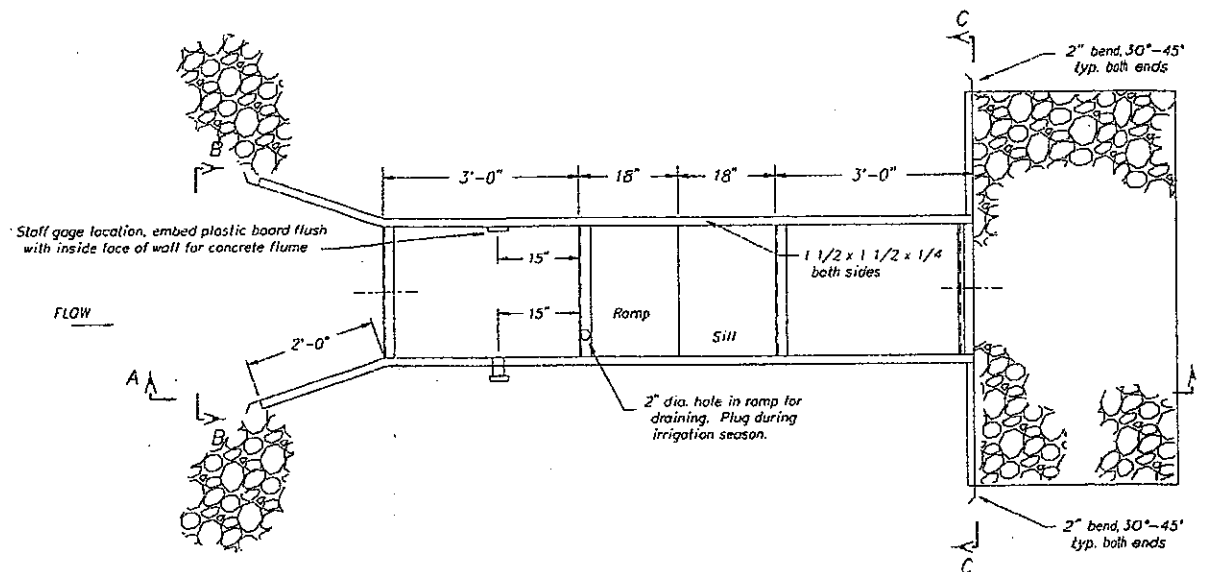
10/31/2007

> upstream side of the headgate. I'll sketch this up and send it with
the
> other dwgs in the mail. This will not credit you for water coming in
> from the return ditch here, but I'm thinking maybe flows in Williams
Ck
> are so low
>
> Williams Ck 1 - I think an off the shelf Nu-Way adjustable flume would
> work good here. I have access to some flumes through the USBR office
in
> Boise and think I can provide this for you at no cost, you would just
> need to put it together and install it. This would be installed
within
> 20 yards of the diversion from the creek. Nick indicated he may be ok
> with not requiring a headgate here since the screen can be removed
from
> the ditch to shut off flow. If you do need a headgate there are some
> relatively in-expensive slide gate models available off the shelf here
> locally (Steel and Ranch in Salmon), I'd imagine most farm/steel
supply
> stores would have something similar.
>
> You will need to send IDWR a copy of the drawings, and some proposed
> location info similar to what's in this email. SNRA also wanted to
see
> what was proposed so they could issue a special use permit.
>
> I walked through the S-40 diversion a couple times this summer - I
think
> it looks pretty good. The vegetation is coming back pretty well
> everywhere except right around the new headgate/spillway. Even got
some
> sagebrush coming in, so SNRA should be happy. I'm assuming you and
> Roland were ok with the flows, even in a low water year, that you were
> able to get down the ditch??
>
> If you have any questions just call. I'll be out 10/22 - 11/13
floating
> the Grand Canyon. Thanks - BH
>
>
>>>> "Bill Leavell" <bleavell@ruralnetwork.net> 10/11/07 2:01 PM >>>>
> Brian,
>
> Any news? Seem to have lost your phone numbers, can you give me your
> cell and office #'s. Thanks,Bill
>

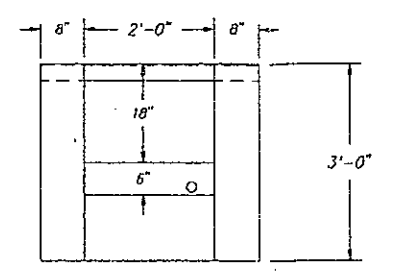
10/31/2007



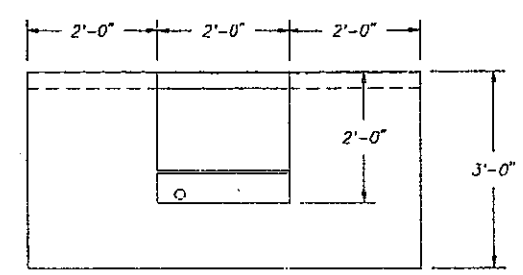
Idaho Rocky Mountain Ranch



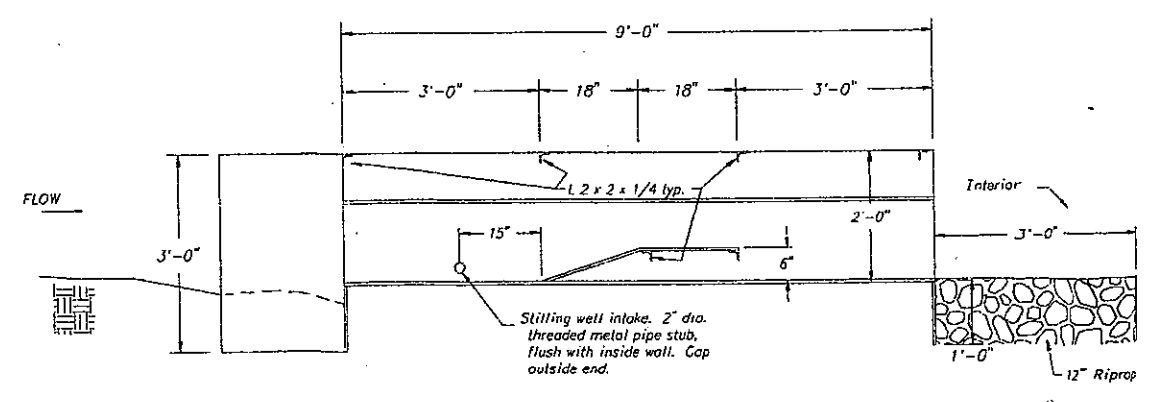
PLAN VIEW



SECTION B-B



SECTION C-C



SECTION A-A

NOTES:
 Ramp flume to be constructed out of steel, 3/16" minimum thickness.
 Crest must be level when flume is installed in the canal to within 0.01'.
 Engineer to specify location for flume installation in ditch.
 All joints to be welded full length or all around with 1/4" weld.

Same Flume for
 Gold Cr 2/3
 Gold Cr 4
 Williams Cr. #4

ALWAYS THINK SAFETY <small>UNITED STATES DEPARTMENT OF THE INTERIOR BUREAU OF REclamation COLUMBIA/SNAKE RIVER SALMON RECOVERY PROJECT UPPER SALMON RIVER BASIN - IDAHO WILLIAM'S CREEK #4 IDAHO POWER, MOUNTAIN RANCH</small>	
DESIGNED: Phil Mena	CHECKED: Charles Seidner
DRAWN: G. COOKS	REG. APPR.: Phil Mena
APPROVED: Steve Mendenhall	
BOISE, IDAHO	SHEET 1 OF 1
2007-7-31	1678-100-935

G. COOKS, M.E.
 CIVIL ENGINEER
 1678-100-935.DWG
 DATE AND TIME PLOTTED
 PLOTTED BY
 G. COOKS